

Features

- ✧ Electronically addressed. The address can be modified in field.
- ✧ Built-in microprocessor, processing information intelligently.
- ✧ Two working modes (Mode I, II) available.
- ✧ Installed on detector base, easy for installation and removal without additional wiring.

Description

I-9405 Addressable Sounder Base is a base with an integrated buzzer. When there is a confirmed fire, it will give audible alarm signal to warn people in field. With a built-in microprocessor, the sounder base can communicate with fire alarm control panel (FACP). On receiving a start command from the FACP, the microprocessor will control the buzzer to generate pre-alarm or fire alarm sound according to the pre-set working mode.

Wiring and Connection

Terminals of the sounder base are shown in Fig. 1.

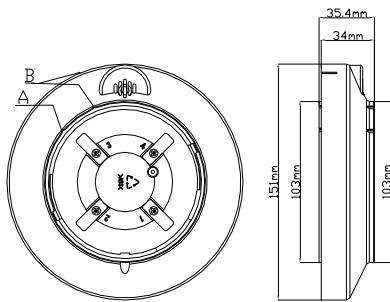


Fig. 1 Terminals of Sounder Base

Z1(1), Z2(3): Signal loop of FACP, polarity-insensitive.

Recommended Wiring

1.0mm² or above fire cable, subject to local codes.

Installation

Warning: Before installing the sounder base, disconnect the power from the loop and verify that all the bases are securely fixed and that the wiring is correct on each base.

- 1 Before installation, make sure the enclosure is free of scratch or distortion, and labels are complete.
- 2 Mounting of the sounder base is shown in Fig. 2.
- 3 Secure the sounder base to detector base (Fig. 4) with 2 tapping screws, and wire them properly. Align the orientation mark C on the sounder base to mark A of the base, and rotate the sounder base clockwise to B. Refer to Fig. 3 and 4.
- 4 If the sounder base comes with a cover, align the orientation mark on the cover to mark A of the sounder base (Fig.1), and rotate the cover clockwise to B. If it's used as detector base, remove the cover and install the detector on it with the same method.

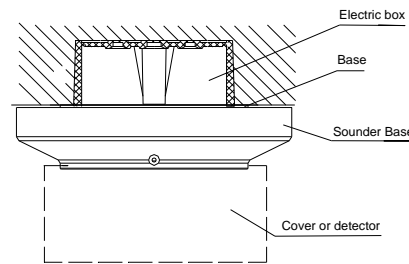


Fig. 2 Mounting of Sounder Base

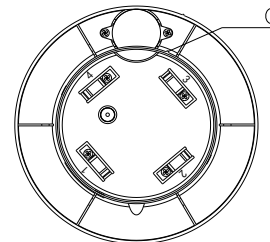


Fig. 3 Sounder Base

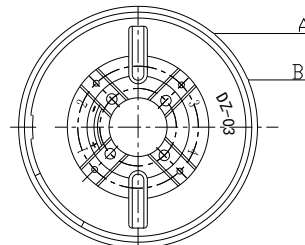


Fig. 4 Base

Application

The sounder base can be used as the base of intelligent heat and smoke detectors to combine detection and alarm in a single device. It can be connected to the loop of FACP without additional power supply.

Programming

The sounder base can be programmed using DR-P910B programmer in field. Connect the programmer with Terminal 1 and 3 of the sounder base. When the sounder base occupies two addresses, only the lower address (fire alarm sound) needs to be programmed, and the higher address (pre-alarm) will be automatically programmed by adding 1 to the lower address. Refer to *P-9910B Hand Held Programmer Installation and Operation Manual* for details.

Working Mode Setup

In standby state of the programmer, pressing *Function* and enter number 4, “-” will show on the last digit. Input the number of corresponding working mode, and pressing *Program*, “P” will show on the screen, meaning the mode has been set. The factory default is Mode 1 (102), which can be changed to Mode II (103 or any number between 1 to 240 except 102) in field. Before installation, the sounder base should be programmed, and the mode is to be confirmed.

Mode	Number of Address	Type of Alarm
I	Two addresses. The lower code occupies an address, and the higher code shares the address of cooperated detector.	Lower address: Fire alarm Higher address: Pre-alarm
II	Occupies one address	Fire

Application Method

- ✧ The sounder base can be used as a detector base to mount intelligent detectors, so that the detector can carry out both fire detection and alarm.
- ✧ The sounder base can also be directly connected into fire alarm system. In case of a fire alarm, it will generate alarm sound according to the cause and effect setup of the system. System connection is shown in Fig. 5.

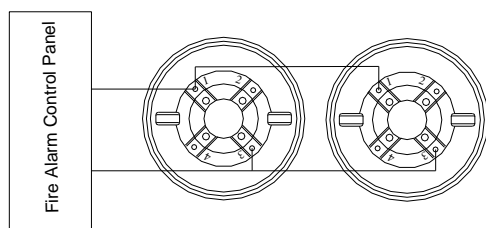


Fig. 5

Caution

- ✧ Please read this manual before operation.
- ✧ A loop can have maximum 40 sounder bases because of their heavy current consumption.
- ✧ Order the special top cover if not connected with fire detector.
- ✧ Never try to repair it by yourself. Always contact your distributor in case of any trouble.

Specifications

Operating Voltage	Loop 24V
Quiescent Current	≤1mA
Alarm Current	≤5mA
Sound Level	≥85dB (1m ahead horizontally (A weighted))
Mode	Mode I & II.
Type of Alarm Signal	Pre-alarm: 0.5s on 1s off Fire Alarm: 0.4s on, 0.3s off
Programming	Electronically programmed
Code Range	1~242 when occupying one address; 1~241 when occupying two addresses.
Ingress Protection Rating	IP31
Operating Temperature	-10°C~+50°C
Relative Humidity	≤95%, non condensing
Material of Enclosure	ABS
Dimension	Diameter: 151mm Height: 35.4mm (without cover)
Weight	About 136g

Accessories and Tools

Model	Name	Remarks
P-9910B	Hand Held Programmer	Order separately

Limited Warranty

GST warrants that the product will be free from defects in design, materials and workmanship during the warranty period. This warranty shall not apply to any product that is found to have been improperly installed or used in any way not in accordance with the instructions supplied with the product. Anybody, including the agents, distributors or employees, is not in the position to amend the contents of this warranty. Please contact your local distributor for products not covered by this warranty.

This Data Sheet is subject to change without notice. Please contact GST for more information or questions.

Gulf Security Technology Co., Ltd.

No. 80, Changjiang East Road, QETDZ, Qinhuangdao, Hebei, P. R. China 066004

Tel: +86 (0) 335 8502434 Fax: +86 (0) 335 8502532

service.gst@fs.utc.com www.gst.com.cn